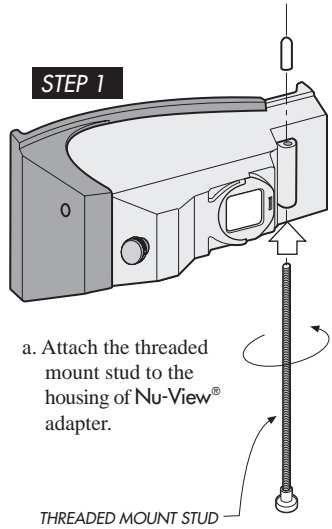
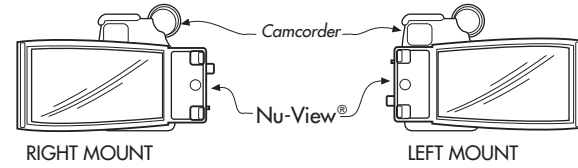


QUICK START CARD

Attaching the Nu-View® Adapter to your Camcorder:

DETERMINE IF THE NU-VIEW ADAPTER WILL BE MOUNTED ON THE RIGHT OR LEFT OF YOUR CAMCORDER. THIS WILL DETERMINE WHICH PART OF THE ADAPTER WILL BE UPRIGHT.



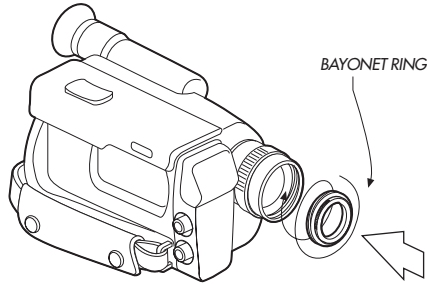
STEP 1

- a. Attach the threaded mount stud to the housing of Nu-View® adapter.

THREADED MOUNT STUD

STEP 2

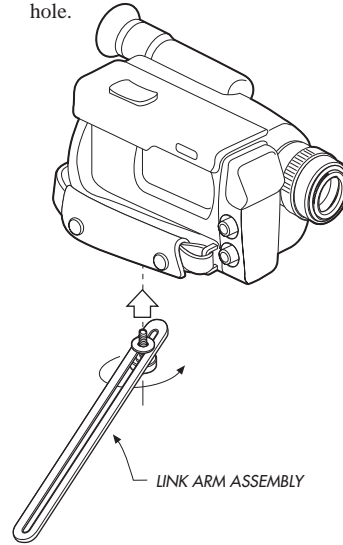
- a. Screw the Bayonet Ring into the lens thread of your camera. Do not over tighten, finger tight is sufficient.



BAYONET RING

STEP 3

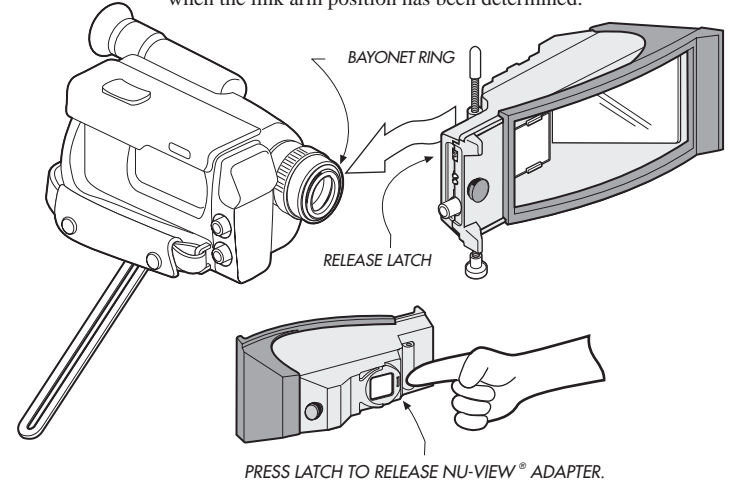
- a. Attach Link Arm Assembly (loosely tighten) under your camcorder to the tripod mounting hole.



LINK ARM ASSEMBLY

STEP 4

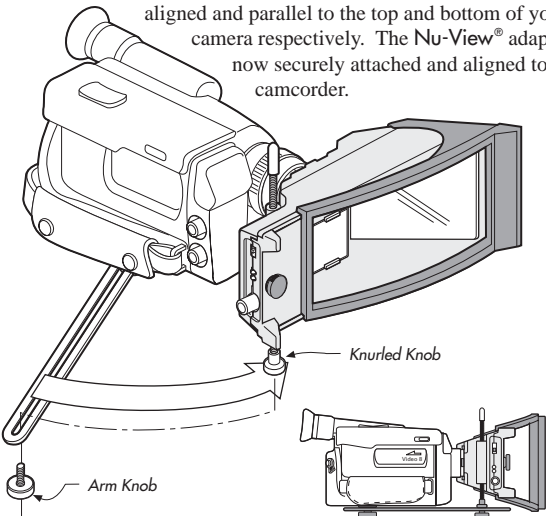
- a. Slide the Nu-View® adapter over the flange of the bayonet ring until it clicks into place by fully engaging the spring-loaded latch. Align Nu-View® adapter, by rotating on its bayonet mount, so the threaded mount stud is aligned immediately over the link arm. Secure the tripod screw to the tripod socket of the camcorder when the link arm position has been determined.



PRESS LATCH TO RELEASE NU-VIEW® ADAPTER.

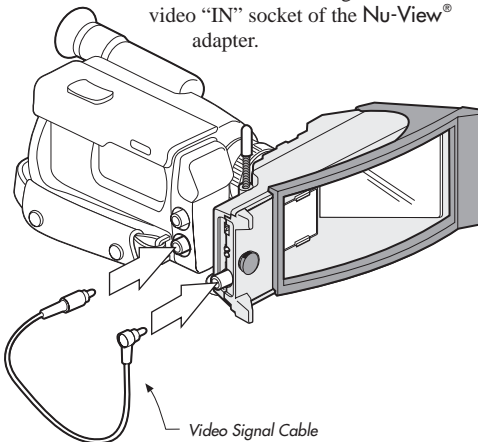
STEP 5

- a. The arm knob is now inserted through the forward end of the slot of the link arm and screwed into the knurled knob at bottom of threaded mount stud. Finger tighten both the tripod screw and the arm knob sufficiently so the Nu-View® adapter is securely attached and properly aligned to the camera. The axis of the threaded mount stud should be aligned and parallel to the center vertical axis of the camera and the top and bottom of the Nu-View® adapter should be aligned and parallel to the top and bottom of your camera respectively. The Nu-View® adapter is now securely attached and aligned to your camcorder.



STEP 6

- a. Attach one end of the included video signal cable to the video "OUT" socket of your camcorder. Attach the other end of the video signal cable to the video "IN" socket of the Nu-View® adapter.

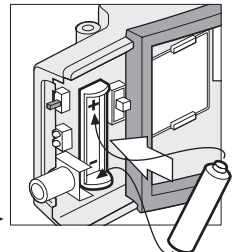
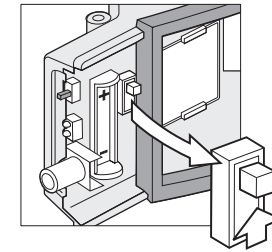
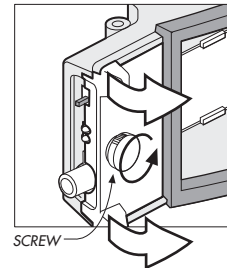


Orientation Switch and Battery Installation:

Unscrew knob to open compartment.

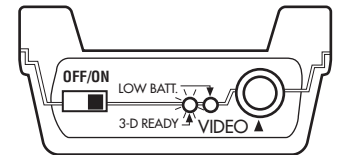
Orientation switch set to "UP" position.

Insert "AAA" battery.



Indicator Light Switch:

- Off/on light flashes green momentarily when off/on switch is turned on and battery is in good condition.
- Off/On light stays green when an active video signal is sensed by the circuitry.



OFF ← → ON